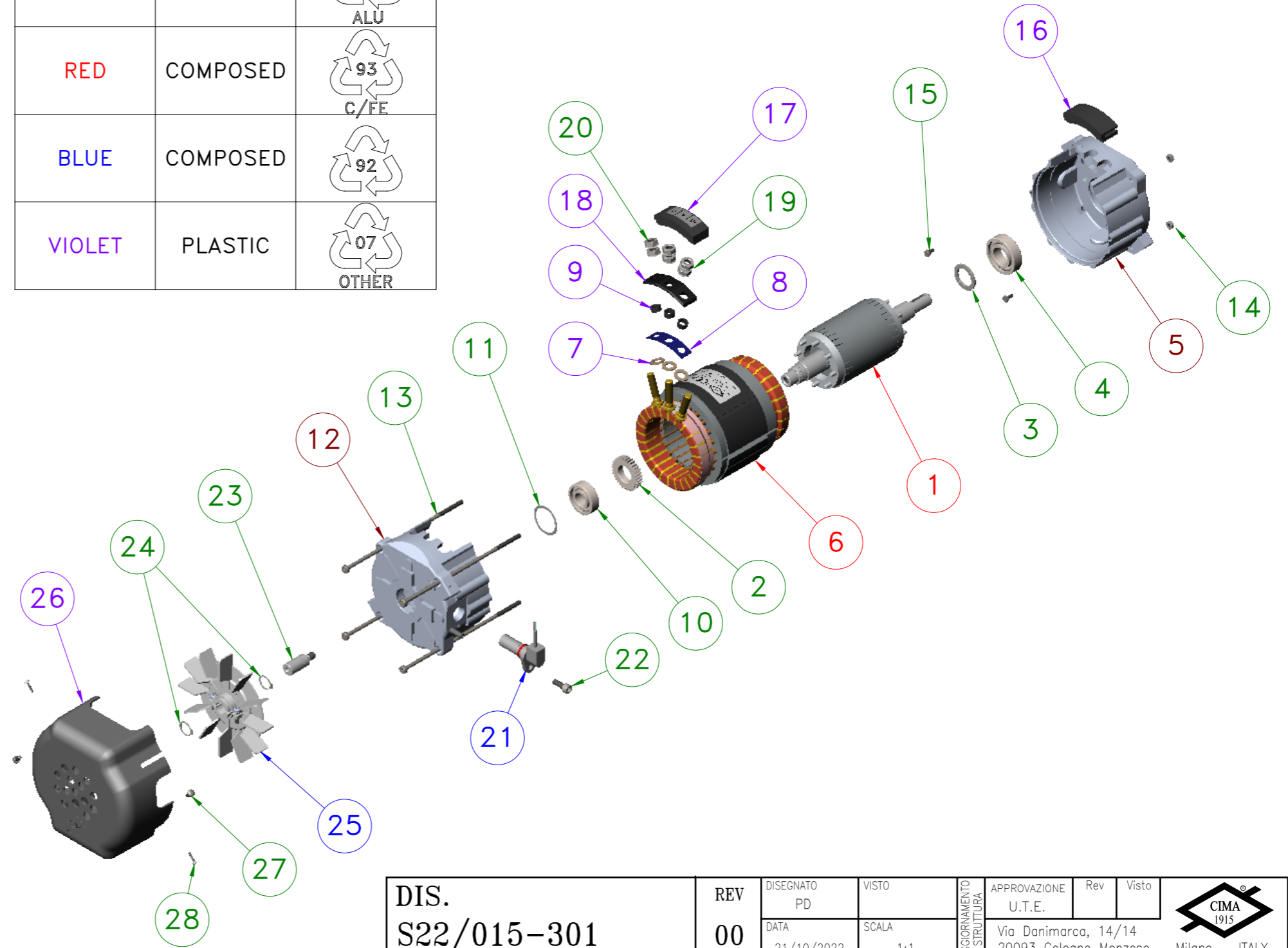


1		2	
28	2	STEEL GRADE C15	
27	2	STEEL GRADE C15	
26	1	ABS - V0	
25	1	COMPOSED	
24	2	STEEL FOR SPRINGS	
23	1	STEEL C45	
22	1	STEEL GADE 8.8	
21	1	COMPOSED	
20	6	STEEL GRADE 8	
19	6	STEEL GRADE C60	
18	1	NYLON	
17	1	SANTOPRENE TPV	
16	1	SANTOPRENE TPV	
15	2	STEEL GRADE 8.8	
14	4	STEEL GRADE 8.8	
13	4	STAINLESS STEEL AISI 304	
12	1	ALUMINUM	
11	1	STEEL FOR SPRINGS	
10	1	STEEL	
9	3	IXEF 1521/9008	
8	1	GLASS EPOSSIDICS F5 M36	
7	3	DUROSTONE EPC203	
6	1	COMPOSED	
5	1	ALUMINIUM	
4	1	STEEL	
3	1	STEEL GRADE HV100	
2	1	STEEL 11SMnPb37	
1	1	COMPOSED	
POS.	Q.TA'	Recycling	

3	4	5
COLORS	MATERIAL	SYMBOL
GREEN	FE	
BROWN	ALUMINUM	
RED	COMPOSED	
BLUE	COMPOSED	
VIOLET	PLASTIC	



DIS. S22/015-301	REV 00	DISEGNATO PD	VISTO	AGGIORNAMENTO STRUTTURA	APPROVAZIONE U.T.E.	Rev	Visto	 Via Danimarca, 14/14 20093 Cologno Monzese - Milano - ITALY
		DATA 21/10/2022	SCALA 1:1		RECYCLING MATERIALS EUROPEAN LEGISLATION 94/129/CE			
MODIFICHE					Project Nr.		-	
0		EMISSIONE STUDIO		21.10.22		PD		CODICE S22/015-301

S:\ArchivioDirectory\Nuove\ArchivioDWG\STUDI\Studf_2022\S22-015_RICICLO_MATERIALI\MOTORE AC\

Formato: A3 Disegno eseguito con SW non sono ammesse variazioni o modifiche manuali